

Distributed by :
Ytron-Quadro (U.K.) Ltd
 Unit D Chiltern Commerce Centre
 43 Asheridge Road
 CHESHAM
 GB – BUCKS HP5 2PY
 Tel +44 (0) 1494 792898
 Fax +44 (0) 1494 792699
www.ytron-quadro.co.uk



FlowControl

**Pneumatic in-line samplers
 For powders and granules**



Application

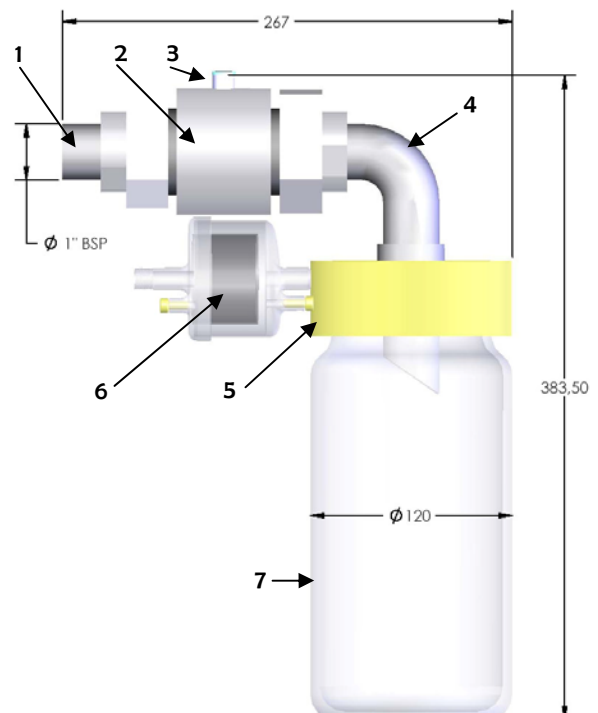
**How to sample powders or granules out of a pressurised pipe transfer ?
 FlowControl samplers give you the solution :**

- Easy installation
- Reduced Maintenance
- Hygienic operation
- Representative sampling
- Pressure up to 3.5 bar

Description

- * 1 Stainless steel M fitting (DN 25) to be welded on your pipe
- * 1 air pinch valve with rubber sleeve FDA & BGVV certified
- * 1 Stainless steel transfer pipe
- * 1 HDPE bottle – sampling volume : 2 liters
- * 1 Stainless steel bottle adaptor with vent outlet 1/4"
- * 1 PP air filter 1/4" with PP membrane 8µ
- * 1 control cabinet with PLC (optional)

7	1	2000cc bottle	HDPE
6	1	Vent with filter	Caps : PP Membrane : PP
5	1	Threaded adaptor suitable to sampling bottle	SS 316L
4	1	Transfer Pipe	SS 316L
3	1	Fitting for air supply	SS
2	1	Pinch valve 1" F	Rubber sleeve BGVV/FDA Valve body : alu, PVC, SS
1	1	1" M fitting to be welded to your pipe	SS 316L
Rep	Qty	Description	Material



Manufactured by Jean Mainguet sarl – france
www.labocontrolle.com

Distributed by :

Ytron-Quadro (U.K.) Ltd

Unit D Chiltern Commerce Centre

43 Asheridge Road

CHESHAM

GB – BUCKS HP5 2PY

Tel +44 (0) 1494 792898

Fax +44 (0) 1494 792699

www.ytron-quadro.co.uk



INSTALLATION & OPERATING INSTRUCTION

FlowControl®

- **FlowControl®** is designed for the sampling of powders or granules out of a pressurised pipe transfer.
- Connection to your pipe: 1"M (DN 25). We supply the short connection item to be welded on your pipe with 1"M threaded extremity. **FlowControl®** to be installed in vertical position.
- Pinch valve (outlet ¼") with air connection suitable to polyamid hose (size 6/8mm). Make sure that air pressure for closing pinch valve is kept 1.5 bar higher than process pressure.
- Verify that sampling bottle and filter are tightly installed.
- You are now ready to start sampling. To obtain the most representative sample, please make sure that the pinch valve opens and closes quickly (within 1 or 2 seconds) with the interval being set depending on the amount of sample required, for instance every 15 or 30 seconds.
- The volume of the sample should never exceed ½ of the bottle volume.
- When changing sampling bottle make sure that pinch valve is closed.
- To prevent any contamination always keep an empty sampling bottle installed on sampler.
- Before each sampling verify cleanness of all parts. If necessary dismount sampling unit and blow filtered air or Nitrogen inside. If necessary replace elastomer sleeve 1" (DN25).
- It is recommended that an inspection sheet is made, showing the name of the person inspecting, together with details of the items inspected and the date. Warranty of the unit requires these sheets to be presented to the vendor.
- Technical modifications or repairing of the unit can only be made after agreement with the manufacturer Labocontrolle. Otherwise the warranty will be invalidated and the unit can not be exchanged.

www.labocontrolle.com